

Specifications:

Material And Finish:

Insulator:PBT UL94V-0 Color:Black

Contact:Brass

Plated:See Ordering Information

Rating:

Current Rating:10.0 Amp(16AWG)

Voltage Rating:250V AC/DC

Operating Temperature Range:-40°~+105°C

Electrical:

Contact resistance:10m Ohm Max

Insulator resistance:100M ohm min.

Withstanding Voltage:1000V AC/Minute

Ordering Information

A400005S-23X-01-C

1 2 3 4 5

1: — Series No.

2: — S: Straight Type

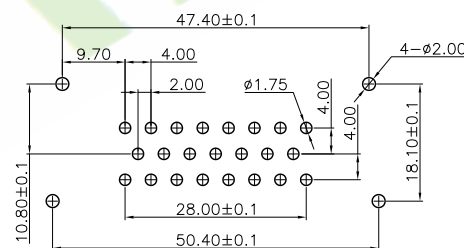
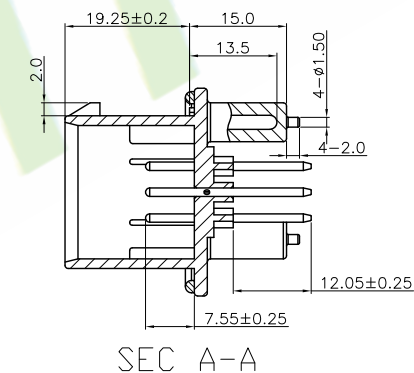
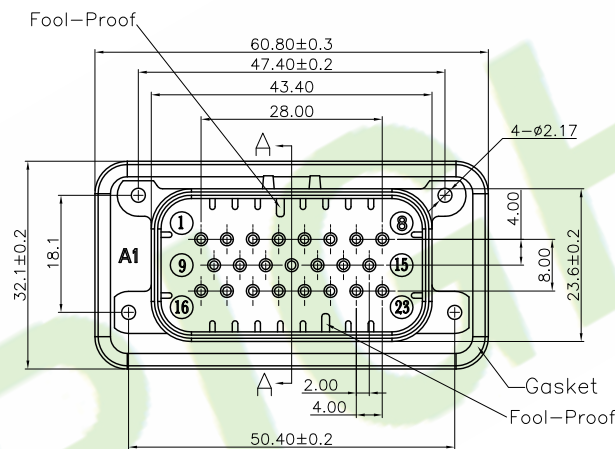
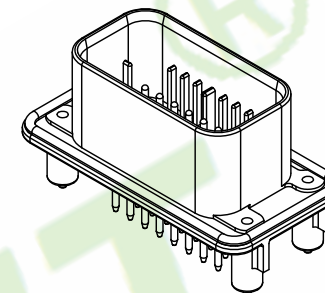
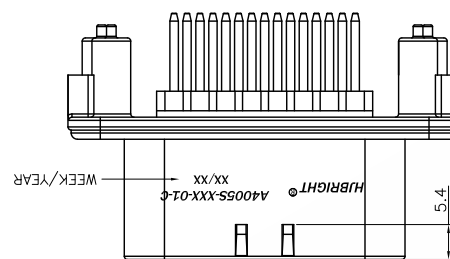
3: — No. of Positions

4: — A: Gold Flash

H: Gold Flash on Contact; Matte Tin on tail

S: Matte Tin Plated

5: — C: In Tray



Recommended PCB Layout

5X				DR.BY.: Kenry	GENERAL TOLERANCE:		PART NO : A400005S-23X-01-C		HJBRIGHT ® 東莞市華晶電子有限公司 BRIGHT-E ELECTRONIC TECHNOLOGY LIMITED
4X				CHKD.: Tony	LINEAR	ANGLES	DWG. NO.:		
3X				APPD.: Billy	X.: ±0.30	X': ±5.0°	TITLE :		SHEET: 1/1
2X	Update code option	DENG	20230411		X.X: ±0.20	X.X': ±3.0°	4.00mm Pitch Header Assembly, Straight Type		SCALE: 1:1
1X	ORIGINAL	Kenry			X.XX: ±0.15	X.XX': ±2.0°	DATE: 19-Jan-2015		UNIT: mm
REV.	DESCRIPTION	DR.BY	ECN. NO.		X.XXX: ±0.10	X.XXX': ±1.0°			THIRD ANGLE PROJECTION

A4